



T&S BRASS AND BRONZE WORKS, INC.

2 Saddleback Cove / P.O. Box 1088
Travelers Rest, SC 29690

Model No.

B-5120-CR-B

Item No.

Travelers Rest, SC: 800-476-4103 • Simi Valley, CA: 800-423-0150 • Fax: 864-834-3518 • www.tsbrass.com

This Space for Architect/Engineer Approval

Job Name _____ Date _____

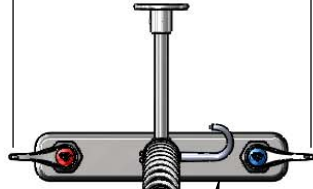
Model Specified _____ Quantity _____

Customer/Wholesaler _____

Contractor _____

Architect/Engineer _____

12 7/16"
[315mm]



Polished Chrome
Plated Brass Escutcheon



44" Flexible Stainless
Steel Hose w/ Spring
& Spray Valve

Items Not Shown
for Clarity

Finger Hook

3/8" NPT x 24" Riser

B-0107
1.15 GPM
Spray Valve

EasyInstall
Lock Nut & Bushing

Quarter-Turn
Cerama Cartridges w/
Check Valves &
Lever Handles w/
Color Coded Indexes

B-0109-01
6" Wall
Bracket

39 15/16"
[1014mm]

EasyInstall
Lock Nut
& Bushing

3 1/4"
[82mm]

8"
[203mm]

1/2" NPT
Male Inlets

10 1/4"
[263mm]

14"
[357mm]

Mounting Surface

(2) 150A
Optional Tailpieces &
Nuts For 1/4" NPT
Connection (Included)

1/4"
[6mm]
Maximum
Thickness

Product Specifications:

Pre-Rinse Unit: EasyInstall 8" Deck Mount Workboard Faucet, Quarter-Turn Cerama Cartridges w/ Check Valves, Lever Handles, 44" Flexible Stainless Steel Hose, 1.15 GPM Spray Valve, 6" Wall Bracket & 1/2" NPT Male Inlets

Product Compliance:

ASME A112.18.1 / CSA B125.1
NSF 61 - Section 9
NSF 372 (Low Lead Content)
2019 DOE PRSV - Class II

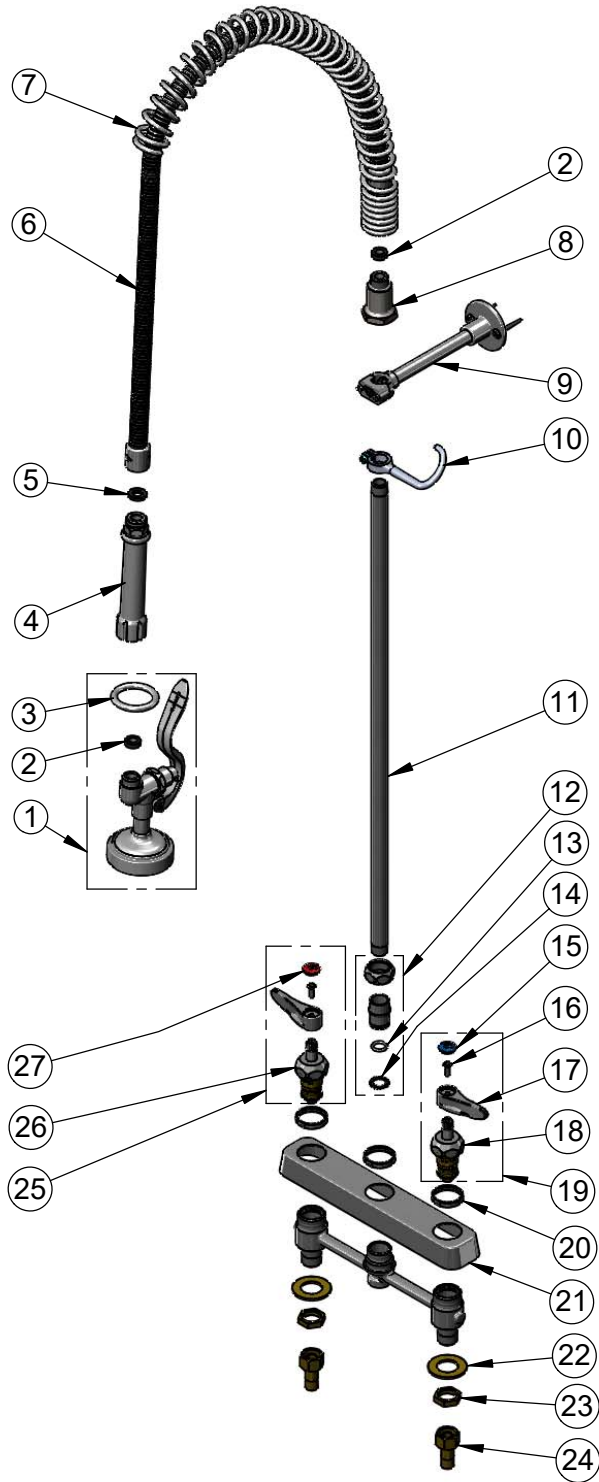


T&S BRASS AND BRONZE WORKS, INC.
 2 Saddleback Cove / P.O. Box 1088
 Travelers Rest, SC 29690

Model No.
B-5120-CR-B

Item No.

Travelers Rest, SC: 800-476-4103 • Simi Valley, CA: 800-423-0150 • Fax: 864-834-3518 • www.tsbrass.com



ITEM NO.	SALES NO.	DESCRIPTION
1	B-0107	1.15 GPM Spray Valve
2	010476-45	#27 Washer
3	000907-45	Spray Valve Hold Down Ring
4	002987-40	Grip Handle
5	001014-45	Washer, B-0100 Hose Barrel
6	B-0044-H2A	44" Flexible Stainless Steel Hose, Less Handle
7	000888-45	EasyInstall Overhead Spring
8	000821-40	Spring Body
9	B-0199-01	6" Wall Bracket
10	004R	Finger Hook
11	000372-40	3/8" NPT x 24" Riser
12	EZ-K	EasyInstall Kit: Nut, Bushing, O-Ring & Lock Washer
13	001065-45	O-Ring
14	014200-45	Star Washer, Anti-Rotation
15	018506-19NS	Blue Button Index, Press-in
16	000925-45	Lab Handle Screw
17	001638-45NS	Lever Handle (New Style)
18	012395-25NS	Quarter-Turn Cerama Cartridge, LTC w/ Check Valve
19	012447-25NS	Quarter-Turn Cerama Cartridge, LTC w/ Check Valve, Lever handle, Index & Screw
20	019376-40	Escutcheon Lock Nut
21	019612-40	8" c/c Brass Escutcheon
22	000999-45	Brass Lock Washer
23	002954-45	Shank Lock Nut
24	150A	1/4" NPT Tailpiece & Nut
25	012446-25NS	Quarter-Turn Cerama Cartridge, RTC w/ Check Valve, Lever Handle, Index & Screw
26	012394-25NS	Quarter-Turn Cerama Cartridge, RTC w/ Check Valve
27	001193-19NS	Red Button Index, Press-in

Product Specifications:

Pre-Rinse Unit: EasyInstall 8" Deck Mount Workboard Faucet, Quarter-Turn Cerama Cartridges w/ Check Valves, Lever Handles, 44" Flexible Stainless Steel Hose, 1.15 GPM Spray Valve, 6" Wall Bracket & 1/2" NPT Male Inlets

Product Compliance:

ASME A112.18.1 / CSA B125.1
 NSF 61 - Section 9
 NSF 372 (Low Lead Content)
 2019 DOE PRSV - Class II